

WE BUILD THE CHANGE

SEDEMI

Customized Solutions for
Infrastructure Projects

We are Living in Times of Steel

We take advantage of steel's properties to build more modern, durable and environmentally sustainable projects.

Experts that deliver outstanding
quality of service

Our specialized units offer products and
services with quality above the standard.

Our DNA

We are builders of customized solutions for infrastructure projects with superior service and focused on building value for our stakeholders.

Solutions that meet your imagination

Sedemi is an organization inspired by the potential of Ecuador and the world, with more than 44 years of history, its leadership and experience have allowed the construction of the most iconic and visionary projects in the country and the region, thus becoming synonym of development.

When you trust your project to Sedemi, you can be certain it is in the best hands.



Our Corporate Values

Focus on Solution



Credibility



Tenacity



Innovation



45 Years

of Experience

+5.000

Executed Projects

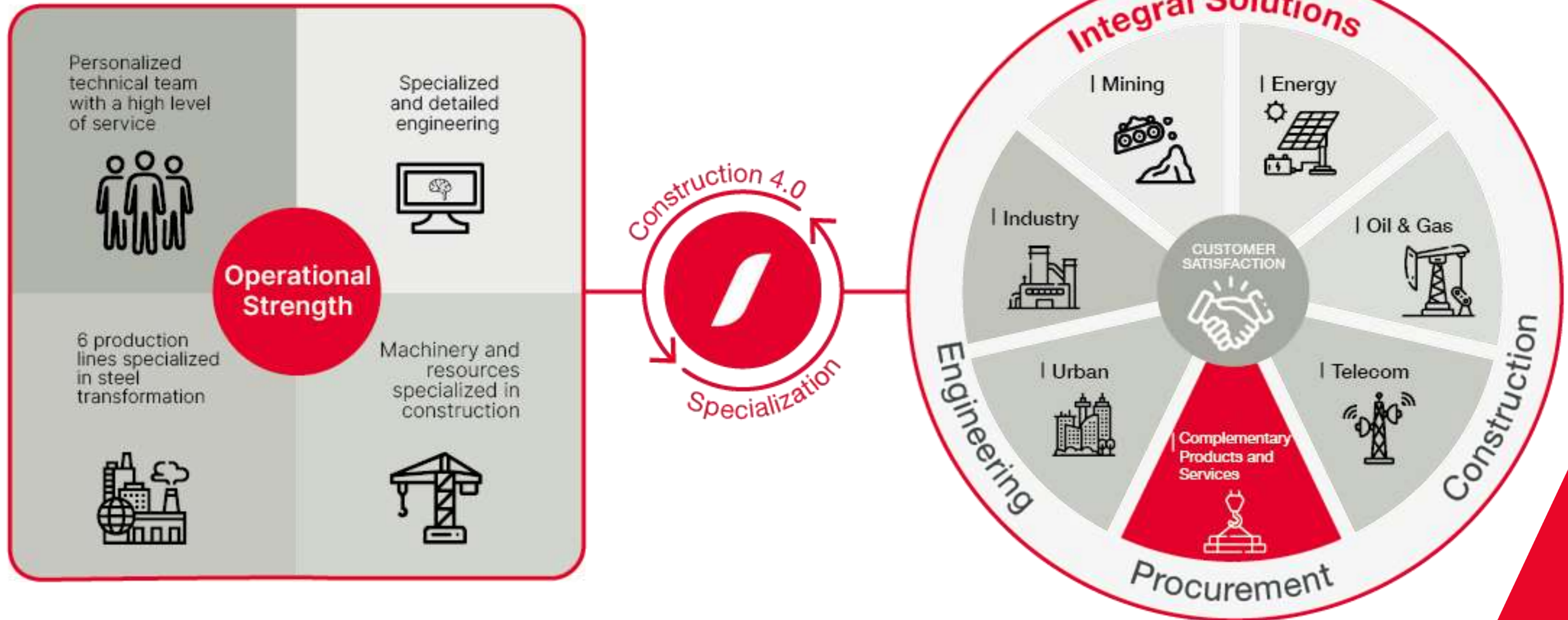
Industrial Plant
90.000

Square Meters

Production Capacity

1.200
Ton/Month

- Business Model



Customized solutions for infrastructure projects.

SEDEMI

Integral Solutions

SEDEMI

| Urban

SEDEMI

| Industry

SEDEMI

| Mining

SEDEMI

| Energy

SEDEMI

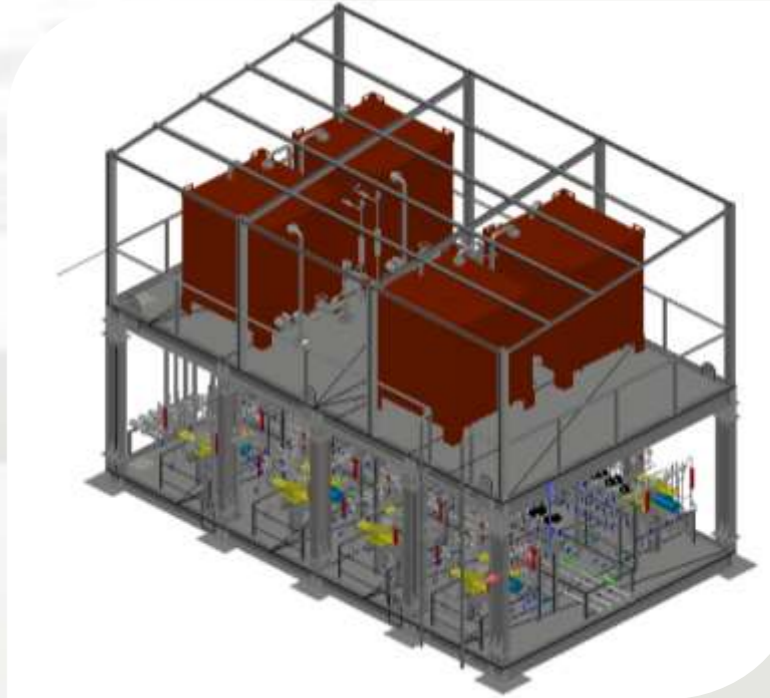
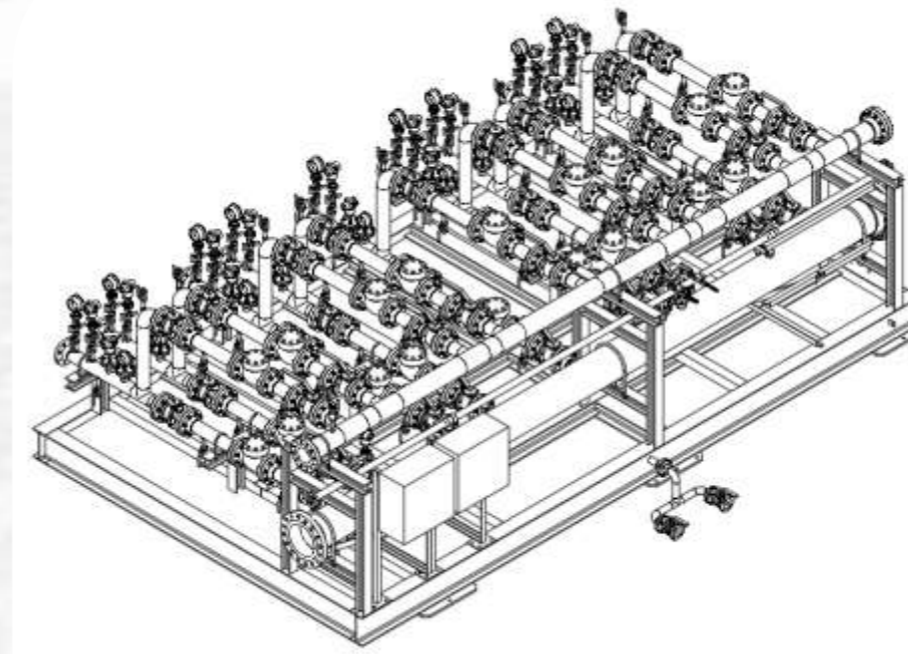
| Oil & Gas

SEDEMI

| Telecom

- **Construction 4.0**

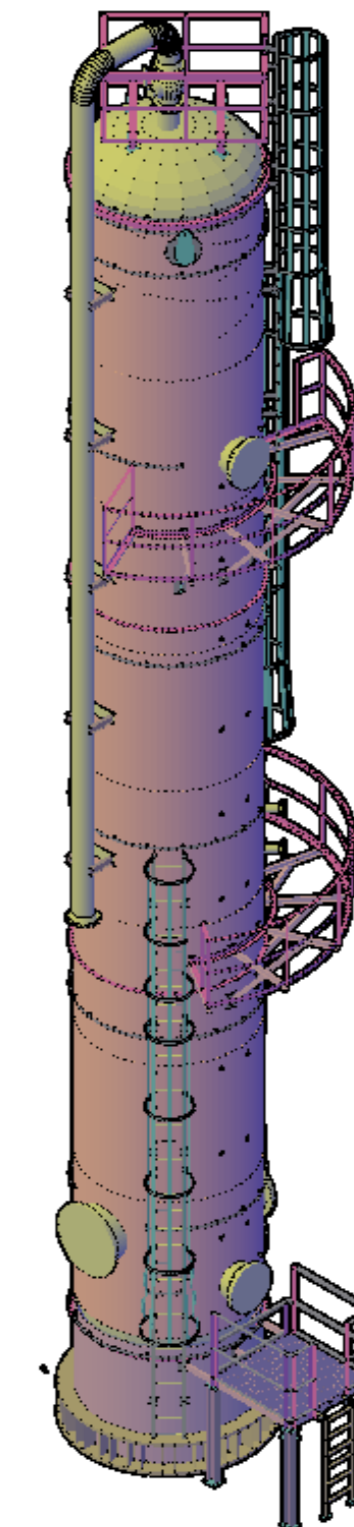
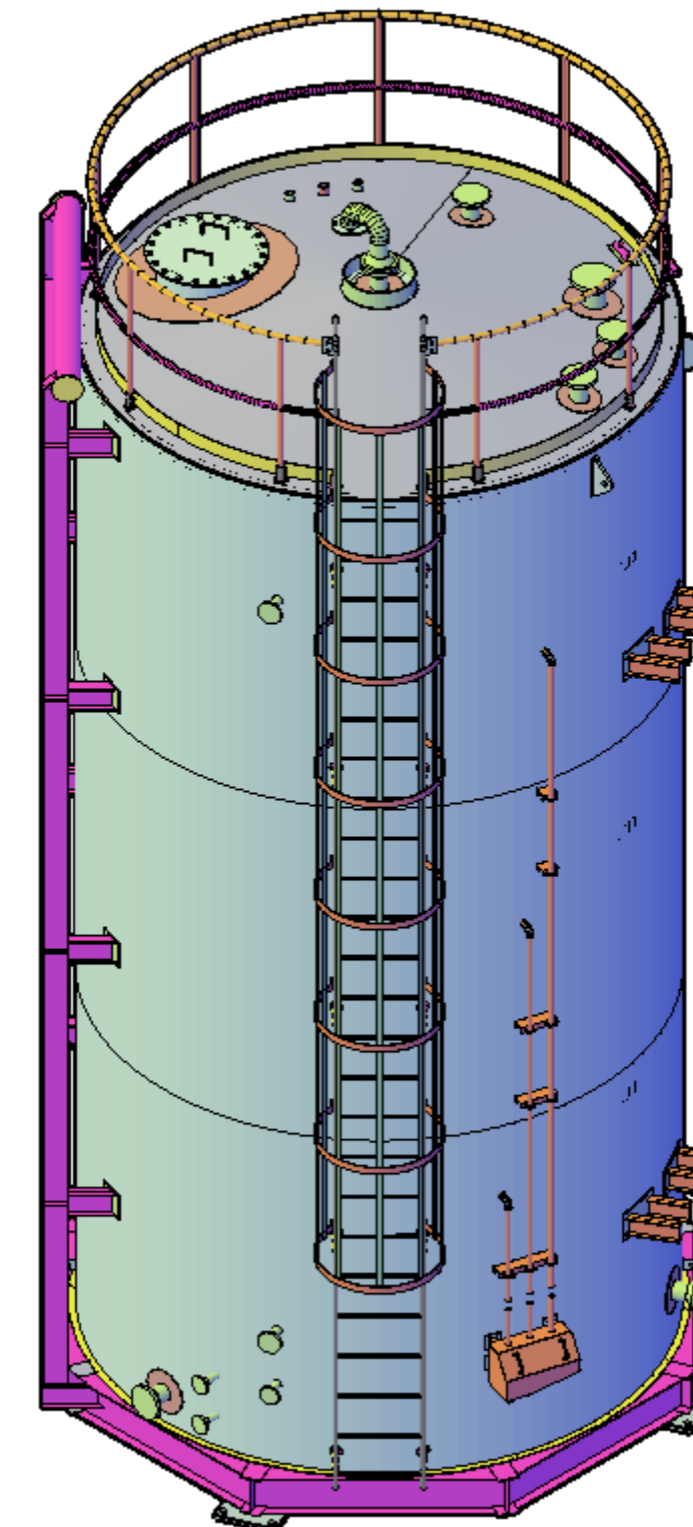
We work along our clients with integral solutions, based in Construction 4.0 with BIM (Building Information Modeling) methodology and industrialized construction. We are present since the first outline of your project until its presentation to the whole world.



- **Expert Team**

MORE THAN
50

- Architects
- Civil Engineers
- Electric Engineers
- Mechanical Engineers
- Chemical Engineers
- Process Engineers



- **Industrialized Manufacturing**

We have an industrial plant equipped with state-of-the-art machinery that works through Computerized Numerical Control (CNC). It allows us to offer integral solutions with quality above the standard.



Certifications

To guarantee our value proposition, we have international certifications that endorse our processes and allow us to offer superior quality in our products and services.

- ISO 9001
- ASME
- INEN
- UL
- NEMA VE-1-2009 STANDARD





We build projects that make a difference:

SEDEMI OIL & GAS specializes in offering integral infrastructure solutions for hydrocarbon production, transportation and refining facilities. We generate value, not only for the sector, but also for society, the economy and the development of the region.

We take on any challenge, no matter its size. This is why we have consolidated the most advanced processes, which guarantee the completion, optimal and reliable execution in engineering, procurement and construction of projects.

We build responsibly for the future

We help transform the Oil and Gas sector by pursuing excellence at all times, with advanced engineering and internationally recognized methodologies.

SEDEMI OIL & GAS has become a benchmark in the sector. We have multidisciplinary teams and experts in engineering, procurement, logistics and construction. In addition to a centralized project control system, our activities contribute to the welfare of society in a way that is compatible with respect for the environment.

HIGHLIGHTS

+ 25 years

Experience in the
Oil Industry



**20 Packaged
Equipment**

Built for the Oil Industry



115 Tanks

Storage from 500 to
50.000 BBLS



6.700 TON

Galvanized Metal
Structures

OUR SOLUTIONS:

● **Integral Facilities**

Engineering, construction and procurement of facilities.
Platforms and their oil and gas process equipment.
Electrical and generation buildings (PCR's).
Maintenance workshops.
Warehouses.
Fixed and mobile camps.
Typical campers (offices, warehouses, bedrooms, bathrooms).
Special campers (laboratory, kitchen, cold room, service room and dining room).
Specialized technical service for personnel and equipment.

● **Metallic Structures and Miscellaneous:**

Metallic buildings.
Industrial Warehouses "Shelters".
Pipe racks, supports, platforms, stairs, grating.
Crane bridges.
Miscellaneous: Gates, grease traps, anchor bolts, u-bolts.

● **Mechanical Equipment**

Storage tanks.
Pressure vessels with and without ASME stamp.
Pipeline (piping) for processes and production.
Special equipment (heat exchangers, teas, production separators, KOD).

● **Mechanical Packaging**

Manifold skids.
Chemical injection systems.
Receivers (Pig Receiver).
Launchers (Pig Launcher).
Fire suppression system (water and foam).

FEATURED
PROJECTS

- Facility Construction- Petroamazonas EP Block 43

Client: Petroamazonas EP
Location: Orellana - Tiputini

Project Scope: Engineering, procurement and construction of surface facilities for oil exploitation and better use of the field in Petroamazonas EP's Block 43 .



● Facility Construction - Cuyabeno Petro

Client: Petroamazonas EP
Location: Cuyabeno

Project Scope: Provision of specific integrated services, for the execution of well drilling activities, reactivation of closed wells, tailored to the client.



● Facility Construction: Sacha 390

Client: EP Petroecuador
Location: Sacha

Project Scope: Integral project that includes the basic and detailed engineering service, procurement and construction of electromechanical facilities and civil constructions for the crude oil production system of the SACHA 390 platform.



● Water Well Construction

Client: EP Petroecuador

Location: Shushufindi Central – Block 57

Project Scope: Integration of signals and communication with the Scada System and the TM-2500 Turbine of CELEC EP, includes studies, engineering and construction of a water well and its connection for feeding the bop in Shushufindi Central - Block 57 of EP Petroecuador.



● KOD AND Condensate Pump

Client: EP Petroecuador

Location: Sansahuari – Block 58

Project Scope: Project that includes the development of basic, complementary and detailed engineering, civil works, assembly of a KOD, provision of instruments and pumps, mechanical interconnection and electrical, instrumentation and control.



- **Electric and Control Rooms- PCB 40000**

Client: Petroamazonas EP

Location: Block 15

Project scope: We have tailored solutions for you. We offer supply, manufacturing and assembly in galvanized steel structure to store electrical power and control equipment. Centralized control system for electricity generation and distribution in the Tiputini CPT process plant, in PCB 4000 of block 43 of Petroamazonas EP.



- Supply of Galvanized Metallic Structure Miscellaneous, Pipe Racks and Cable Tray - Edén Yuturi

Client: OXI

Location: Block 15 - OXI

Project Scope: We complement our services in an integral way. We supply, manufacture, transport and assemble of 500-ton of galvanized metal structures and accessories for buildings, pipe racks and equipment support.



- 3 Storage tanks with a capacity of up to 50,000 BBLs CTP Block 43 Petroamazonas EP

Client: Petroamazonas EP
Location: Orellana - Tiputini

Project Scope: Engineering, procurement and construction of storage tanks for crude oil and production water for the Tiputini process plant.



- Fire Protection Tank 4.400 BBLs

Client: Petroamazonas EP

Location: Block 61 – Auca Sur

Project Scope: Detailed Engineering, Supply, Manufacture and Assembly of Fire System Tank, nominal capacity 4,400 BBLs.



● Atmospheric Tanks:

Client: Petroamazonas EP

Location: Block 12

Project Scope: Detailed engineering, supply of materials, manufacturing and painting of nine (9) Atmospheric Tanks. They were prepared under strict international standards for the verification of deviations, roundness and verticality.



- Gas Boot with ASME “U” Stamp

Client: Petroamazonas EP

Location: Bloque 43

Project Scope: Design, detailed engineering development, procurement and construction of a gas boot with "U" stamp under ASME SEC: VIII DIV.1



● GLP Pressure Vessel

Client: Best supply - Petroecuador

Location: Shushufindi Refinery

Project Scope: Design, detail engineering, supply, construction and painting of a pressure vessel with ASME VIII Division 1 stamp.



● Production Manifold 18 inputs

Client: Petroamazonas EP

Location: Bloque 43 – Plataforma Ishpingo

Project Scope: Design, development of detailed engineering, procurement and construction of two packaged equipment for the connection of 18 producing wells, under the ASME B31.3 standard.



- Chemical injection manifold – 64 connection points

Client: Petroecuador EP
Location: Ishpingo Platform

Project Scope: Design, development of detailed engineering, procurement and construction of two chemical injection skids with 64 connection points, under the ASME B31.3 standard.



- Receiver Trap 30"X 24" on Skid

Client: Petroamazonas EP

Location: Block 43 – CPT

Project Scope: Complete electromechanical packaging in the workshop. Piping, valves, instruments, accessories, external painting, thermal insulation in valves and pipes, skid structure, tests and everything necessary for the proper functioning of the equipment. Grounding system for electrical equipment, instrumentation equipment, control and skid structure for the interconnection with mesh to external ground.



● Skid Multiphase Filter

Ciente: Petroamazonas EP
Ubicación: Bloque 43 – CPT

Project Scope: Skid multiphase filter with two basket filters, INLET / OUTLET 10IN.
Material carbon steel, Rated 300LB, Flanged, RF, WN. FLOW: 36,000 BOPD. Design and Construction according to ASME B31.3 stamp.



● Manifold Skid M-900

Client: Andes Petroleum Ecuador

Location: Tarapoa Platform

Project Scope: Equipment for the reception and distribution of fluids. Skid includes valves, instrumentation, control panel, group line: 10 in. And test line 4 in.





SEDEMI

EXPERIENCE

Integral Facilities



● Block 12 – PAM Maintenance Workshop



● Border Electric Building



● Modular Constructions: Campers

Metal Structures and Miscellaneous



● PANACocha Oil Facilities



● SHINA OGE Electrical Building



● PAYAMINO G Facilities

CONTACT INFORMATION

ECUADOR

Quito

Vía Sangolquí - Amaguaña Km 4.5

Lotización

El Carmen. Lote # 4.

PHONE: (593 2) 2093 992

MOBILE: (593 9) 9966 4501

(593 9) 9944 5358

(593 9) 9945 1531

Guayaquil

Kennedy Norte, Miguel H. Alcívar y

Eleodoro Arboleda, Edificio Plaza

Center Piso 8, Oficina 807.

MOBILE: (593 9) 8029 8379

(593 9) 9711 1904

PERÚ

Av. Juan de Arona, Edificio

JDA 700, piso 2, oficina 125,

San Isidro, Lima.

MOBILE: (51) 93978 3682

 info@sedemi.com

SEDEMI